

# Drum Trolley Instruction Manual



---

**WARNING:**

Read carefully and understand all INSTRUCTIONS before operating. Failure to follow the safety rules and other basic safety precautions may result in serious personal injury.

Save these instructions in a safe place and on hand so that they can be read when required. Keep these instructions to assist in future servicing.

---



LEADERS IN FLUID TRANSFER SOLUTIONS

## GENERAL SAFETY REGULATIONS



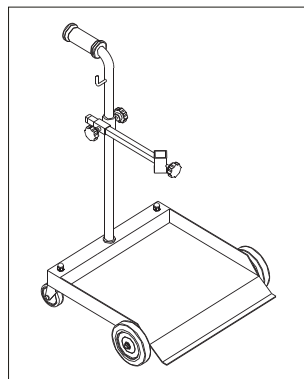
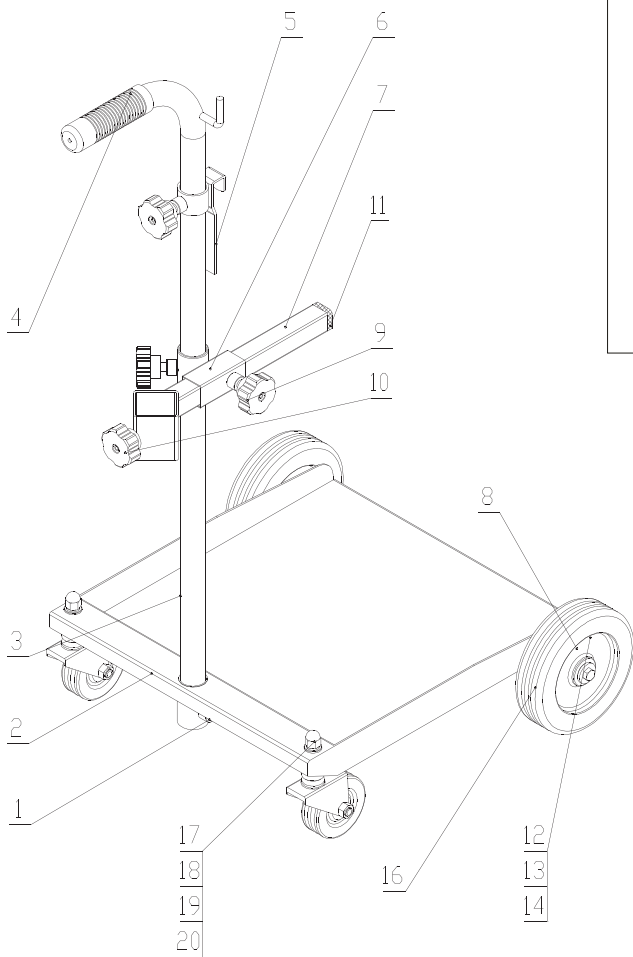
**WARNING:** The warnings, cautions, and instructions discussed in this instruction manual cannot cover all possible conditions or situations that could occur. It must be understood by the operator that common sense and caution are factors that cannot be built into this product, but must be supplied by the operator.

1. Keep the work area clean and dry. Damp or wet work areas can result in injury.
2. Keep children away from work area. Do not allow children to handle this product.
3. Use the right tool for the job. Do not attempt to force small equipment to do the work of larger industrial equipment. There are certain applications for which this equipment was designed. It will do the job better and more safely at the capacity for which it was intended. Do not modify this equipment, and do not use this equipment for a purpose for which it was not intended.
4. Check for damaged parts. Before using this product, carefully check that it will operate properly and perform its intended function. Check for damaged parts and any other conditions that may affect the operation of this product. Replace damaged or worn parts immediately.
5. Do not overreach. Keep proper footing and balance at all times to prevent tripping, falling, back injury, etc.
6. DO NOT use the equipment when tired or under the influence of drugs, alcohol, or medication. A moment of inattention while operating this equipment may result in serious personal injury

# TECHNICAL DETAILS

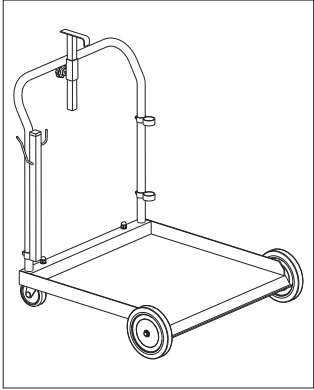
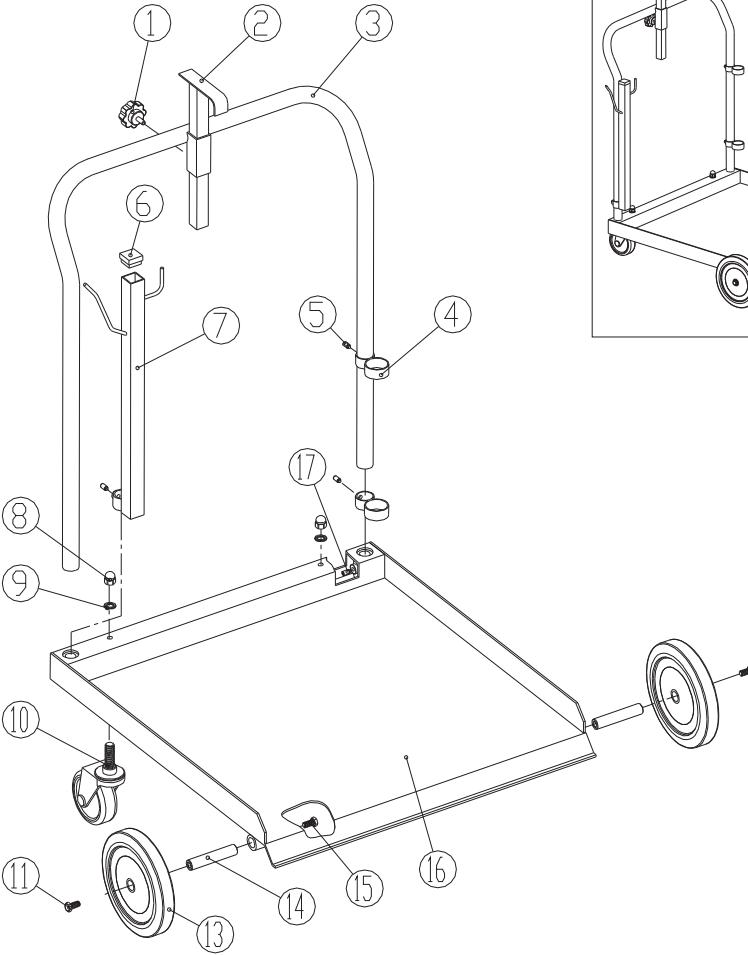
Item No.	Drums Weight	Drums Diameter
DITI 1708001	20-60kgs	385mm
DITI 1708002	180-220kgs	600mm
DITI 1708003	180-220kgs	600mm

# EXPLODED AND PARTS LIST 1708001



Part No.	Description	Q'ty	Part No.	Description	Q'ty
1	Screw	1	11	Blocker	1
2	Trolley Top	1	12	M6 Bolt	2
3	Handle	1	13	Washer	2
4	Handle Cover	1	14	M8 Bolt	2
5	Drum Support	1	16	Wheel	2
6	Adjustable Cover	1	17	Swivelling Wheel	2
7	Adjustable Pole	1	18	Acorn Nut	2
8	Hexagon Bolt	2	19	Washer	2
9	Handle Wheel	3	20	Washer	2
10	Accessory	1			

# EXPLODED AND PARTS LIST 1708002



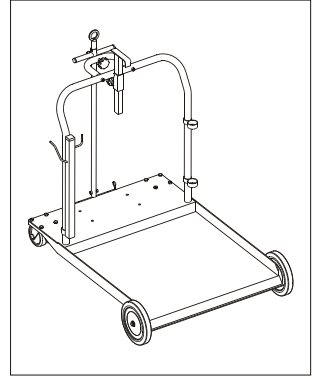
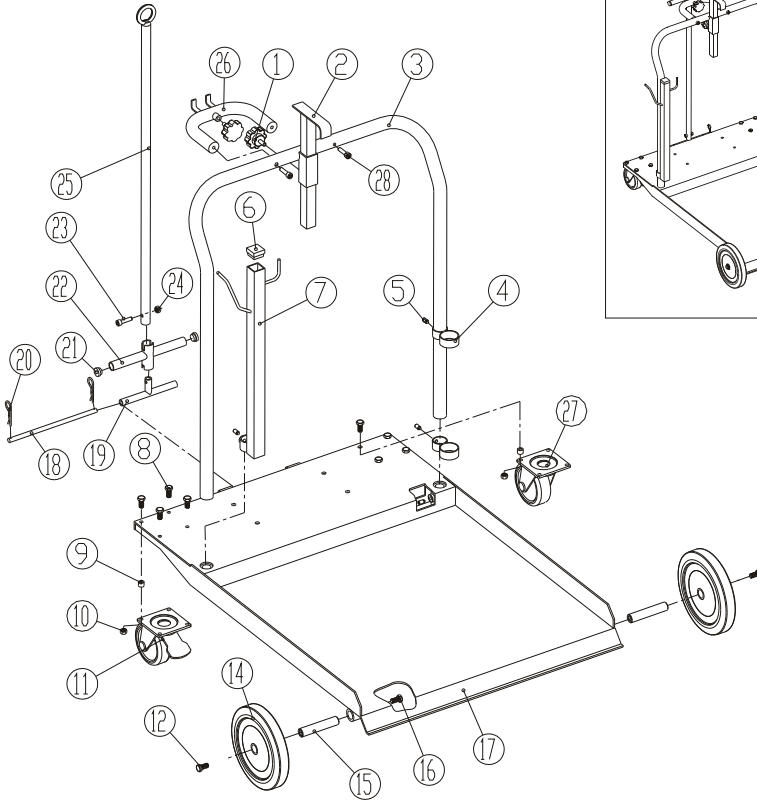
TECHNICAL DETAILS

Part No.	Description	Q'ty	Part No.	Description	Q'ty
1	Accessories	1	10	A Swivelling Wheel	2
2	Drum Holder Support	1	11	Hexagon Bolt	2
3	Handle	1	13	Wheel	2
4	Pump Support	2	14	Axle	2
5	Hexagon Screw Set	3	15	Hexagon Bolt	2
6	Stopper	1	16	Trolley Top	1
7	Accessories Support	1	17	Hexagon Screw Set	2
8	Acorn Nut	2			
9	Washer	2			

EXPLODED AND PARTS LIST

# EXPLODED AND PARTS LIST 1708003

TECHNICAL DETAILS



Part No.	Description	Q'ty	Part No.	Description	Q'ty
1	Accessories	1	15	Axle	2
2	Drum Holder Support	1	16	Hexagon Bolt	2
3	Handle	1	17	Trolley Top	1
4	Pump Support	2	18	Joint Pin	1
5	Hexagon Screw Set	3	19	Handle Joint	1
6	Stopper	1	20	Hairpin Clip	2
7	Accessories Support	1	21	Stopper	2
8	Hexagon Bolt	8	22	Handle Grip	1
9	Washer	8	23	Hexagon Head Screw	1
10	Nut	8	24	Nut	1
11	Wheel with Brake	1	25	Movable Handle	1
12	Hexagon Bolt	2	26	Handle Support	1
14	Wheel	2	27	Wheel without Brake	1
			28	Hexagon Head Screw	2

EXPLODED AND PARTS LIST



LEADERS IN FLUID TRANSFER SOLUTIONS

**STM AUSTRALIA**

1/615 WARRIGAL RD  
ASHWOOD VIC 3147  
AUSTRALIA

**T** 1300 131 531

**F** 1300 308 508

**E** [ENQUIRIES@STM.NET.AU](mailto:ENQUIRIES@STM.NET.AU)

**W** [WWW.STM.NET.AU](http://WWW.STM.NET.AU)