

# Air Operated Waste Oil Drainer Instruction Manual



---

**WARNING:**

Read carefully and understand all INSTRUCTIONS before operating. Failure to follow the safety rules and other basic safety precautions may result in serious personal injury.

Save these instructions in a safe place and on hand so that they can be read when required. Keep these instructions to assist in future servicing.

---



LEADERS IN FLUID TRANSFER SOLUTIONS

## GENERAL SAFETY REGULATIONS



**WARNING:** The warnings, cautions, and instructions discussed in this instruction manual cannot cover all possible conditions or situations that could occur. It must be understood by the operator that common sense and caution are factors that cannot be built into this product, but must be supplied by the operator.

### WARNING

1. Do not extract caustic or flammable products.
2. Do not expose the reservoir to any source of heat.
3. While extracting high temperature oils, keep hands and face protected.
4. Only use the device for the purpose for which it has been designed.
5. Do not modify any component of the equipment.
6. Only use original spare parts.
7. Our technical office is at your full disposal for any information you may need.

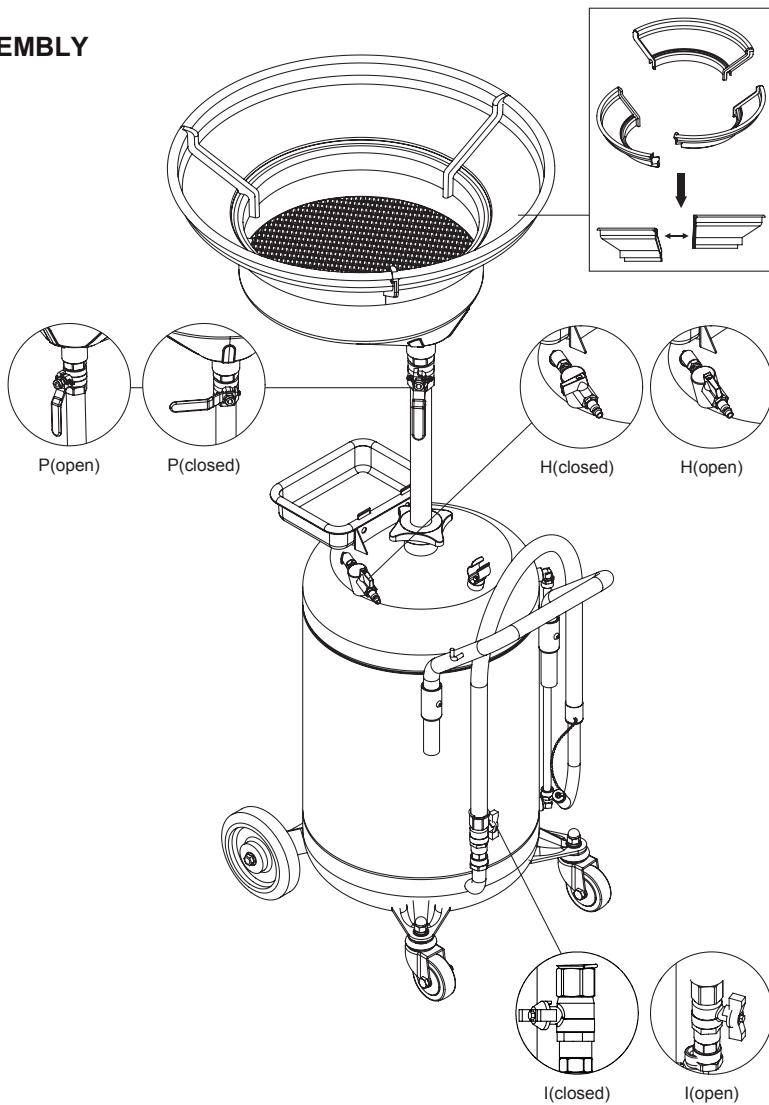
### CAUTION

1. Never fill the reservoir over the maximum level indicated by the gauge that is located on the side of the reservoir.
2. Don't exceed maximum pressure 1bar/14.5psi for draining.
3. Open the bottom nut of the reservoir firmly and clean out any dirty to avoid jam.

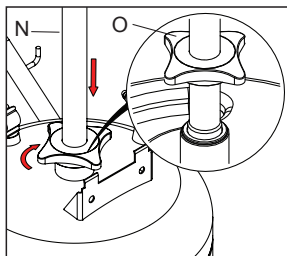
## TECHNICAL DETAILS

Item No.	DITI AOD3090E	DITI AOD3065E
Air inlet	1/4"quick plug	1/4"quick plug
Extension funnel	Yes	Yes
Capacity	90L/24Gal	65L/17Gal
Max draining pressure	1 bar/14.5psi	1 bar/14.5psi
Draining hose length	2000mm/78.7"	2000mm/78.7"
Collection bowl capacity	18L/4.8Gal	18L/4.8Gal
Extension funnel diameter	606mm/23.8"	606mm/23.8"

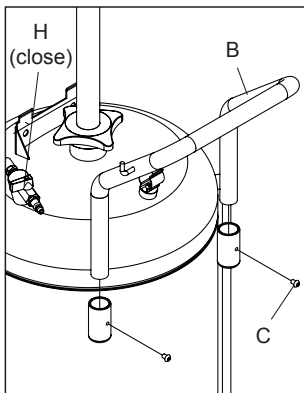
## ASSEMBLY



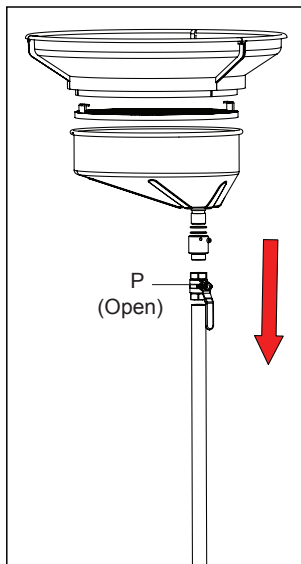
**Fig.1:** Insert the tube(N) into the reservoir, then turn the handwheel(O) clockwise direction and tighten.



**Fig.2:** Assemble the handle(B) and the air inlet fitting, turn off the ball valve(H).

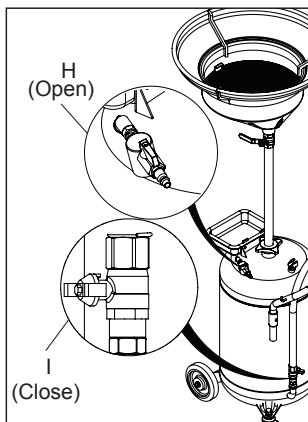


**Fig.3:** Assemble the supporting tube, ball valve (P), oil collecting bowl, filtrating plank and extension funnel orderly.

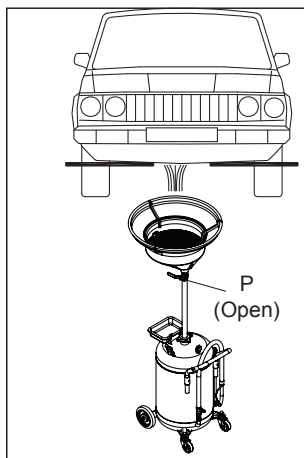


**OPERATION COLLECTING**

**Fig.4:** Close all the valves (P, H, I). Turn on the valve(H) and the valve(P) .



**Fig.5:** Place the oil drainer under the car to collect the waste oil. Turn on the valve(P).

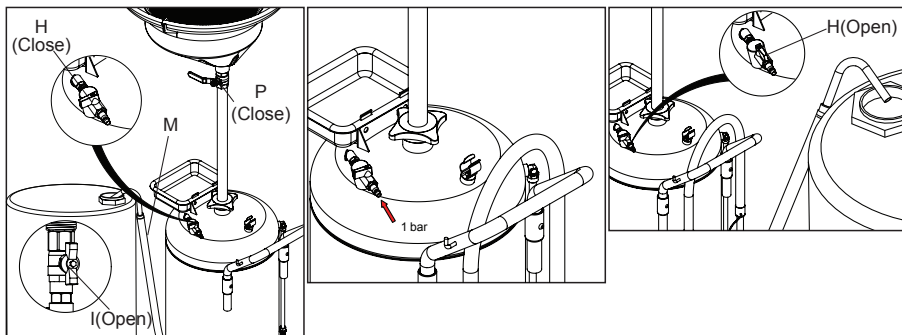


## DRAINING

**Fig.6:** Close all the valves (P, H, I), put the spout (M) into the waste oil tank, then open the valve (I).

**Fig. 7:** Connect the air supply.

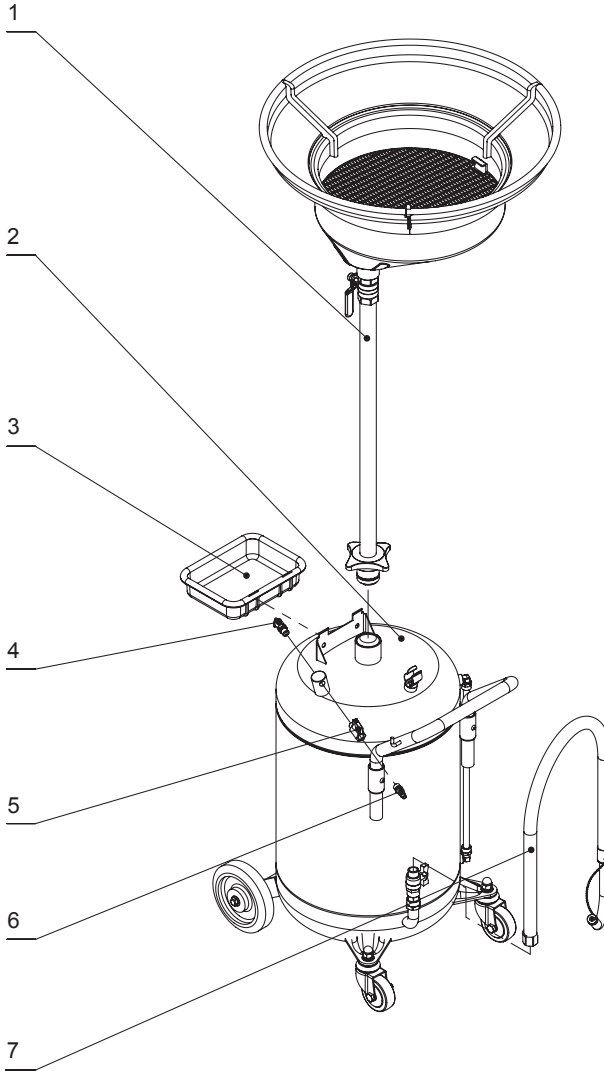
**Fig.8:** Open the valve (H) for draining.



## LIMITED WARRANTY

1. The manufacturer warrants this product against defects in material and craftsmanship, for a period of one year from date of purchase, but not including wearing parts.
2. Manufacturer's liability is limited to replacement or repair of defective material within the warranty period.
3. The warranty does not cover damage caused by accident, misuse or faulty installation.
4. The product must be installed and maintained in compliance with the instructions.

## EXPLODED AND PARTS LIST

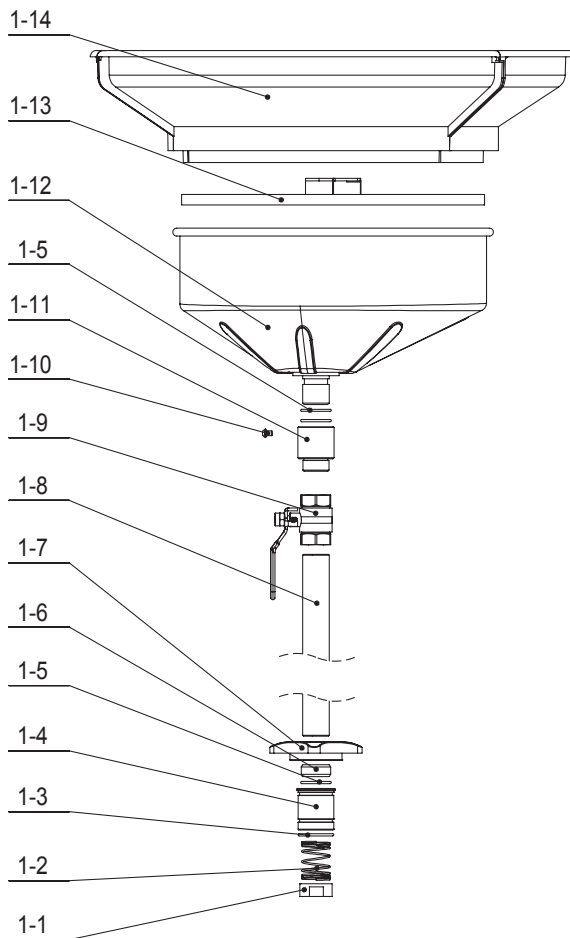


Part No.	Description	Q'ty	Part No.	Description	Q'ty
1	Oil collecting bowl assembly	1	5	Ball valve	1
2	Reservoir	1	6	Quick plug	1
3	Tool tray	1	7	Discharging hose assembly	1
4	Safety valve	1			

#: Optional accessories

\*: Wearing parts

# OIL COLLECTING BOWL ASSEMBLY & PART LIST

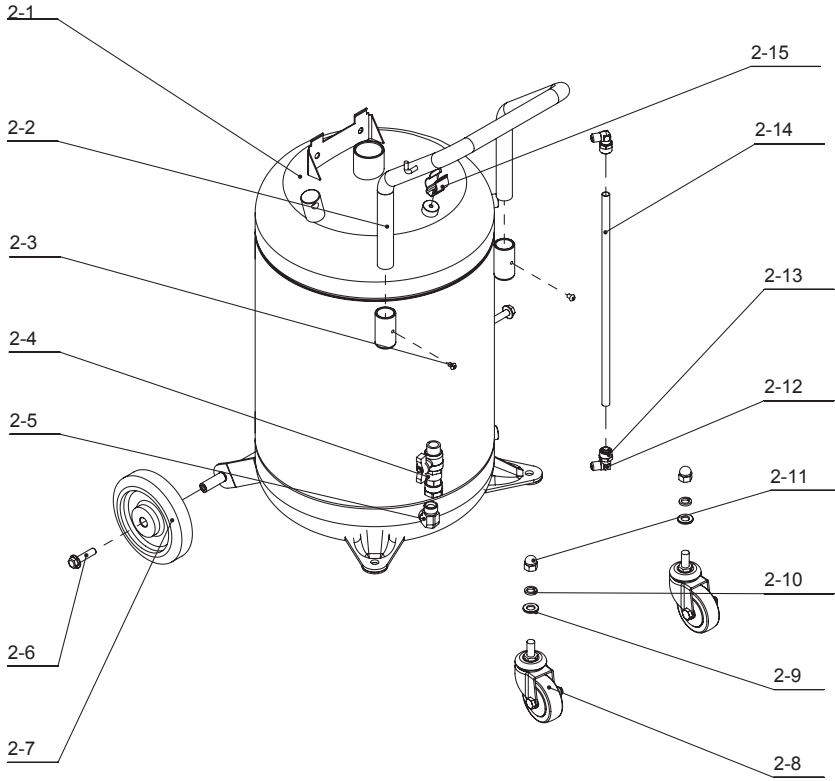


Part No.	Description	Q'ty	Part No.	Description	Q'ty
1-1	Check nut	1	1-8	Supporting tube	1
1-2	Compression spring	1	*1-9	Ball valve	1
*1-3	O-ring	2	1-10	Nut	1
1-4	Sealing bush	1	1-11	Retainer sleeve	1
*1-5	O-ring	4	1-12	Oil collecting bowl	1
1-6	Expansion cover	1	1-13	Filtrating plank	1
1-7	Handwheel	1	#1-14	Extention funnel	1

#: Optional accessories

\*: Wearing parts

# RESERVOIR & PART LIST



Part No.	Description	Q'ty	Part No.	Description	Q'ty
2-1	Reservoir assembly	1	2-9	Spring washer	2
2-2	Handle	1	2-10	Gasket	2
2-3	Screw	3	2-11	Nuts	2
2-4	Butterfly valve	1	2-12	Elbow	2
2-5	Swivel fitting	1	2-13	Nut	2
2-6	Bolts	2	2-14	Tube with lable	1
2-7	Wheel	2	2-15	Clip	1
2-8	Caster	2			

#: Optional accessories

\*: Wearing parts



LEADERS IN FLUID TRANSFER SOLUTIONS

T 1300 131 531  
 F 1300 308 508  
 E ENQUIRIES@STM.NET.AU  
 W WWW.STM.NET.AU

**STM AUSTRALIA**  
 1/615 WARRIGAL RD  
 ASHWOOD VIC 3147  
 AUSTRALIA