

RONDO®

KEY-LOCK®
Concealed Suspended Ceiling Systems

KEY-LOCK® installation guide



RONDO KEY-LOCK®

CONCEALED SUSPENDED CEILING SYSTEMS

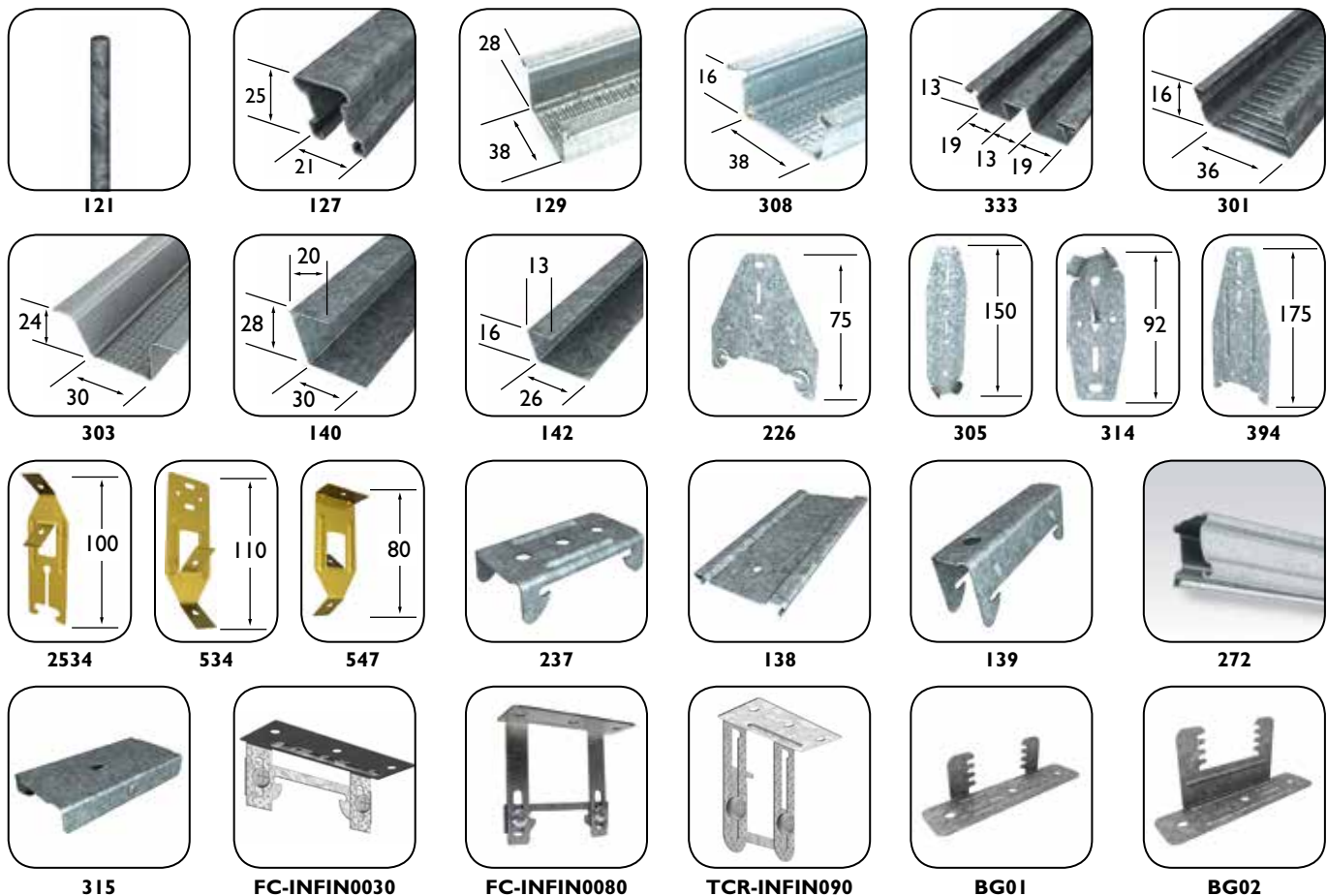
GENERAL INFORMATION

The Rondo KEY-LOCK® Concealed Suspended Ceiling System is a versatile ceiling suspension system which provides various options to achieve a flush building board ceiling. KEY-LOCK® is a high quality, simple to use, time-tested system which complies with all relevant Australian and New Zealand building codes. Rondo recommends that you check you are referring to the latest edition by comparing this to the one currently available on our website, www.rondo.com.au.

FEATURES & BENEFITS

FEATURE	BENEFIT
Versatile and easy to use	Specially designed locking and suspension clips simplify the assembly of components. The range of available products allows for variable spanning and spacing options. This gives the contractor the freedom to put together the most cost effective package for each individual project.
Safe handling	Rolled Edges on the primary rail and furring channel sections make them safer to handle.
Quality Guarantee	The Rondo KEY-LOCK® system is quality assured and designed to meet all Australian standards. As such, the system is 100% backed by the Rondo Guarantee. Visit www.rondo.com.au for complete information. NOTE: Mixing different manufacturers' products within the system is not recommended or guaranteed.
Time-saving features	KEY-LOCK® components are designed to snap onto sections easily, without mechanical tools being required. Mid-span joiners eliminate the need for waste, and speeds up installation time.
Australian Standards	Suspension clip load tests exceed the requirements of AS/NZS 2785 Section 3. The Rondo KEY-LOCK® system can be used in both fire rated and non-fire rated situations, and has been designed to meet both Australian and New Zealand Standards. Refer to Plasterboard Manufacturer for fire rated applications.
Technical expertise	For detailed technical information, visit www.rondo.com.au to view the Rondo Professional Design Manual, use the online Rondo Ceiling Design Wizard, view the KEY-LOCK® installation video, download the Rondo App, or obtain a technical resource USB from your Authorised Rondo Distributor. For all other technical advice, such as seismic design, contact your local Rondo Technical Sales Representative.

VARIOUS RONDO KEY-LOCK® COMPONENTS



RONDO KEY-LOCK® INSTALLATION

1. SPACINGS

Table 1 has been prepared for a batten spacing of 600mm. Confirm with your lining distributor that this spacing is suitable for your lining board selection.

2. SELECTION

Choose the most appropriate Batten or Furring Channel to suit your lining board.

3. DIRECT FIX AND INSTALL

Refer to Figures 1– 4 for the direct fix clip relevant for your batten/furring channel choice.

4. SUSPENDED CEILINGS

If your ceiling needs to be suspended by more than 200mm, refer to the next page.

NOTE: For help with quantity take-offs, use the Rondo Ceiling Design Wizard by downloading the Rondo App or visiting www.rondo.com.au.

TABLE 1: Span table for internal use in populated residential areas.

600mm SPACING		
BATTEN/ FURRING CHANNEL	PLASTERBOARD LINING	
	1 x 10mm	1 x 13mm
301/303	1200	1200
129	1580	1540
308	1260	1240

DIRECT FIX INSTALLATION

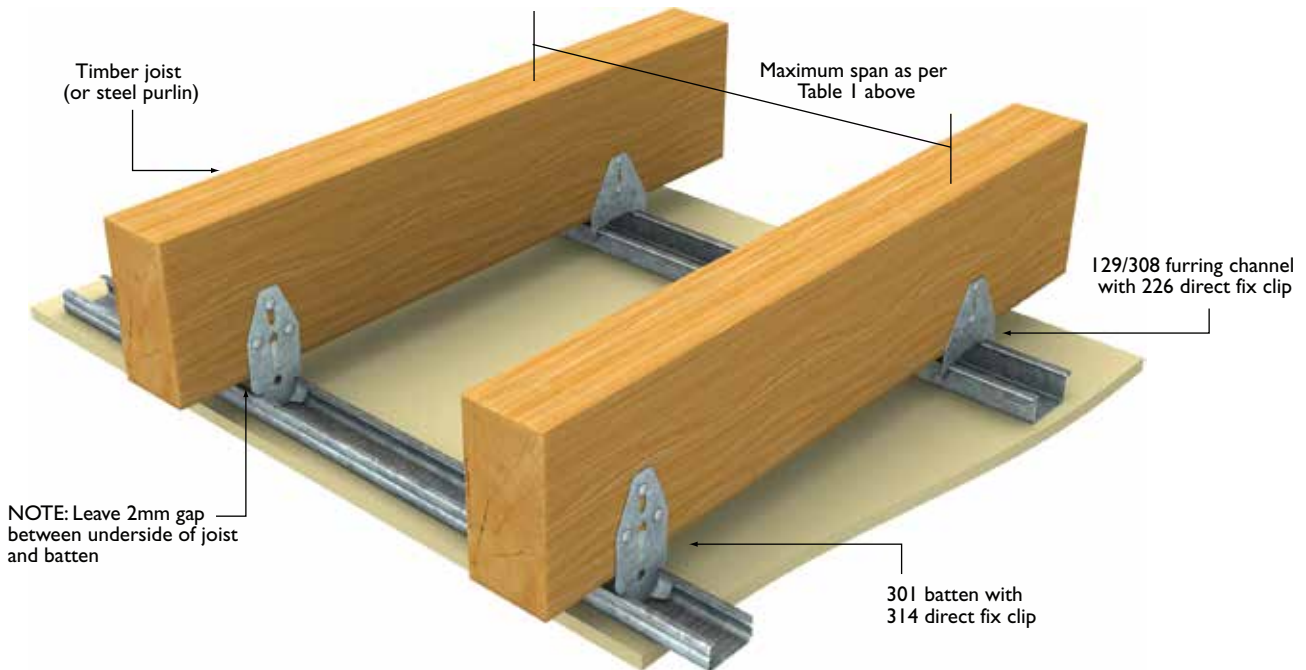


FIGURE 1: DIRECT FIX APPLICATIONS USING STANDARD RONDO COMPONENTS

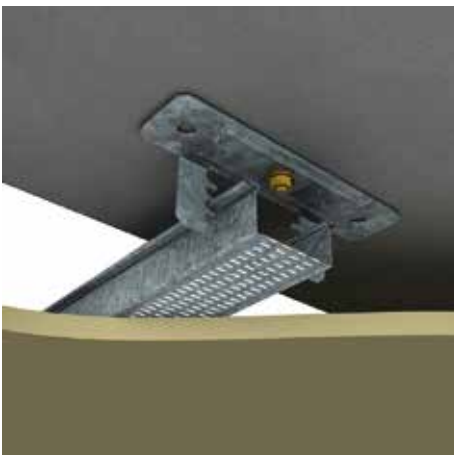


FIGURE 2:
DIRECT FIX APPLICATION BENEATH
CONCRETE SLAB USING BETAGRIP® BG01 CLIP
AND ONLY INSTALLED WITH A CENTRE FIX

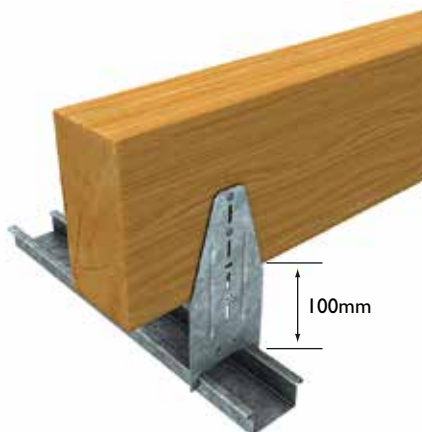


FIGURE 3:
SUSPENDED APPLICATION USING 129/308
FURRING CHANNEL WITH 394 DIRECT FIX
CLIP

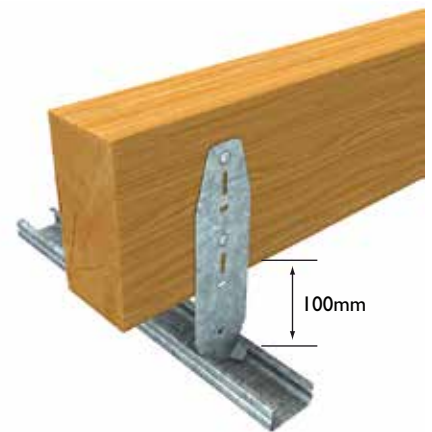


FIGURE 4:
DIRECT FIX CLIP 305 IN SUSPENDED
APPLICATION TO A RECOMMENDED
MAXIMUM OF 100mm FOR 301 BATTEN

SUSPENDED CEILING INSTALLATION

For ceilings with more than 200mm suspension depth, a fully suspended system should be installed.

1. Fix Rondo 140 wall track (or 142 wall track if using the 308) around the perimeter of the ceiling
2. Secure hanger clips at a 1200mm x 1200mm grid pattern ensuring the first Top Cross Rail is located within 200mm of abutting walls. If using multiple layers of plasterboard consult the Rondo Professional Design Manual.
3. Cut 121 suspension rod to required length and slide into hanger clip tabs. Refer Figure 6.
4. Slide 2534 clip onto the other end of the rod.

5. Secure 127 Top Cross Rail to the 2534 clips with a twisting action. Fit 139 joiner clips to Furring Channel and then click into Top Cross Rail* firmly. Ensure 139 clip engages in both sides: "click-clack".
6. Secure Furring Channel to Top Cross Rail at a of max of 600mm apart or at appropriate spacings for your lining choice, ensuring 5–10mm clearance is left between end of Furring Channel and wall.
7. Framing can be leveled by adjusting the 2534 clip by squeezing tabs together.
8. See illustrations below for fixing and bracing details.

*Note: Distance between hangers supporting TCR = span of TCR

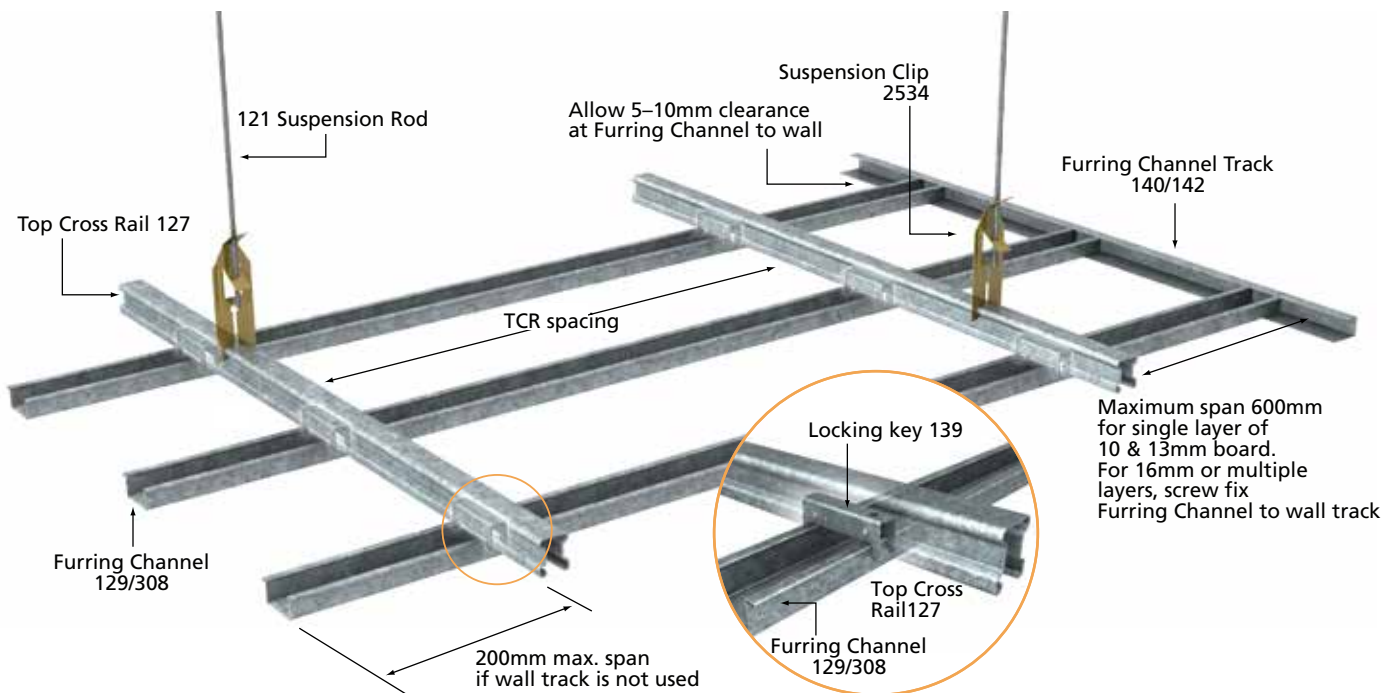


FIGURE 5: KEY-LOCK® SUSPENDED CEILING

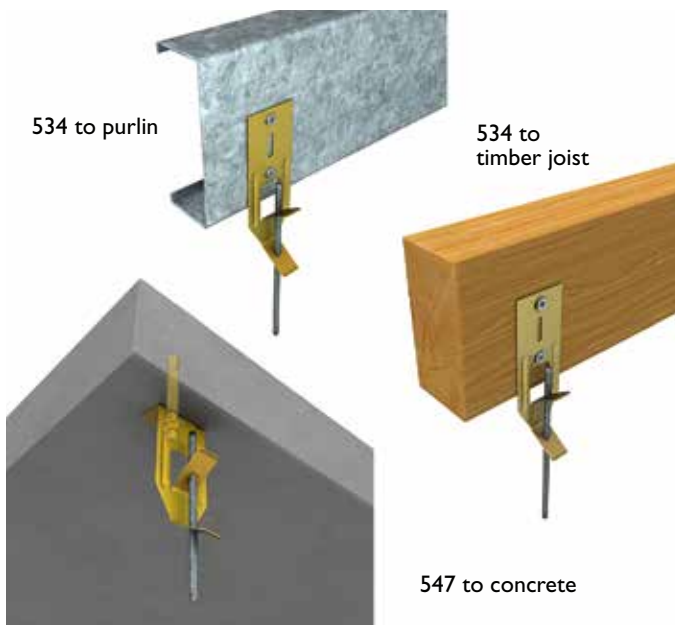


FIGURE 6: HANGER CLIPS

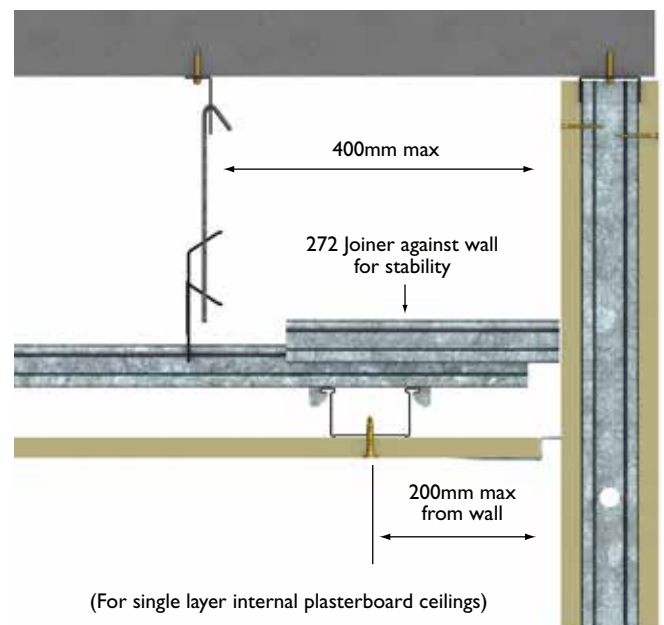


FIGURE 7: STABILISING THE SYSTEM

MASONRY WALL INSTALLATION

1. INSTALL CLIPS

Fix the adjustable BETAGRIP® clips to the masonry wall as figure 8 inset using either “knock-in” anchors or plugs and screws. For timber framed wall use suitable screws. (See note on fixing alternatives for BETAGRIP® clips).

2. ATTACH FURRING CHANNEL

The BETAGRIP® clip has ‘notches’ to accept the furring channel, these are spaced approx 5mm apart.

Selecting the appropriate notch and using a rolling action clip the 129 or 308 furring channel into place. Check the first furring channel for plumb and straightness and using this as a guide install the remaining furring channels. For more minute adjustment of the clips for plumb etc gently tap the prongs of the clip with a hammer to adjust.

3. FIX PLASTERBOARD

Screw fix plasterboard, tape and set joints and sand off as lining manufacturers recommendations.

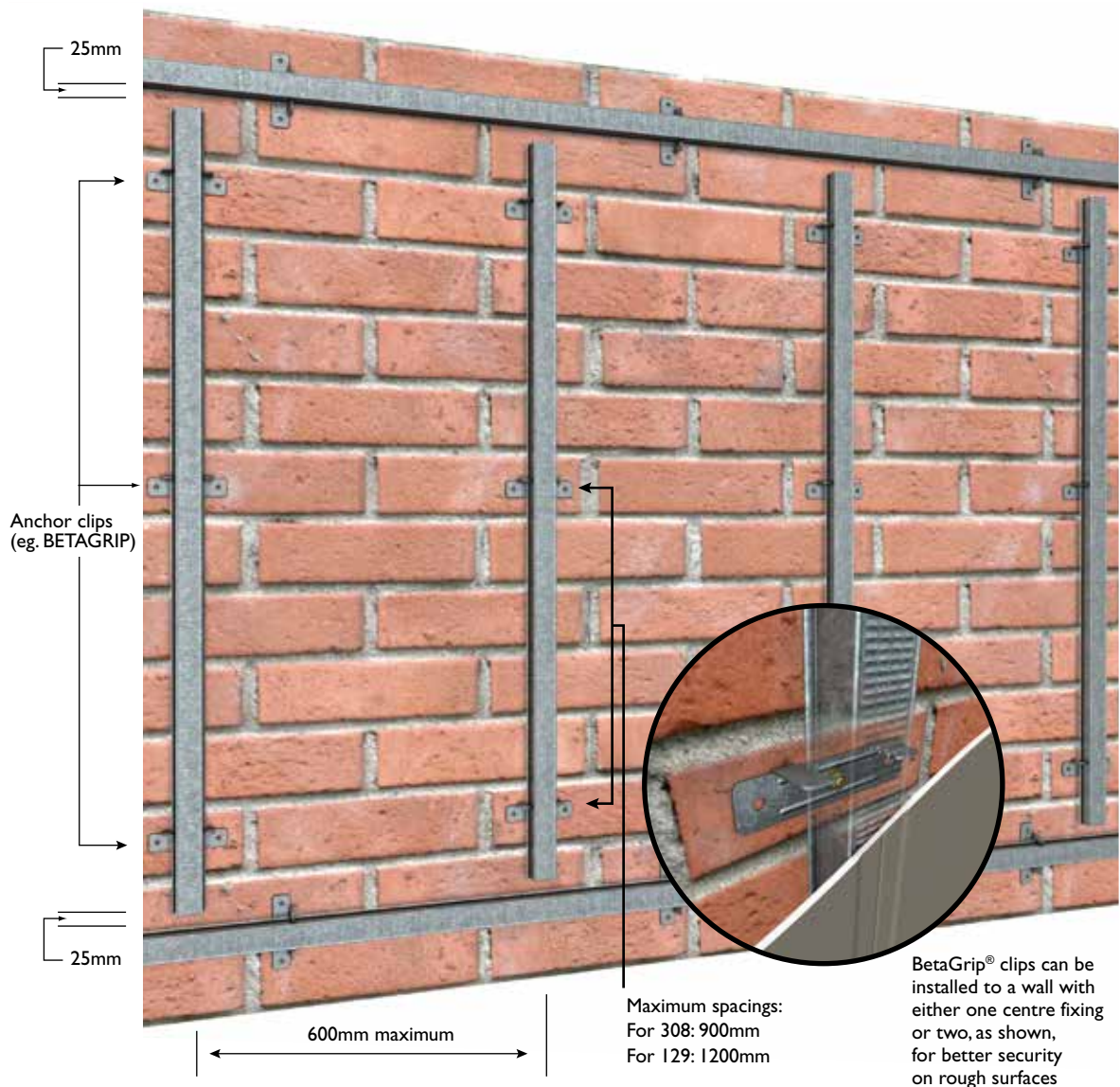


FIGURE 8: KEY-LOCK® used to batten-out masonry wall

NOTE: This brochure should be used as a guide only. Rondo recommends that this system be installed under the advice and guidance of experienced wall and ceiling professionals. For all details other than those supplied in this KEY-LOCK® guide, go to www.rondo.com.au and download our full Rondo Professional Design Manual, or contact your local Rondo sales office. Please consult your board manufacturer for board fixing details.

RONDO OFFICES

AUSTRALIA: RONDO BUILDING SERVICES PTY LTD
CUSTOMER SERVICE HOTLINE: 1300-36-RONDO (1300-36-7663)

NEW SOUTH WALES
57-87 Lockwood Road Erskine Park NSW 2759
(PO Box 324 St Marys NSW 1790)
phone: 61-2-9912 7300 fax: 61-2-9912 7310 email: nsw@rondo.com.au

VICTORIA
12-14 Dunlop Road Mulgrave VIC 3170
(Private Bag 23 Mulgrave VIC 3170)
phone: 61-3-8561 2222 fax: 61-3-8561 2266 email: vic@rondo.com.au

QUEENSLAND
13 Binary Street Yatala QLD 4207
(PO Box 6006 Yatala QLD 4207)
phone: 61-7-3442 6400 fax: 61-7-3442 6427 email: qld@rondo.com.au

SOUTH AUSTRALIA
39 George Street Green Fields SA 5107
phone: 61-8-8256 5900 fax: 61-8-8256 5922 email: sa@rondo.com.au

WESTERN AUSTRALIA
5 Hazelhurst Street Kewdale WA 6105
(PO Box 168 Cloverdale WA 6985)
phone: 61-8-9251 9400 fax: 61-8-9251 9414 email: wa@rondo.com.au

HEAD OFFICE
57-87 Lockwood Road Erskine Park NSW 2759
(PO Box 324 St Marys NSW 1790)
phone: 61-2-9912 7300 fax: 61-2-9912 7310 email: rondo@rondo.com.au

EXPORT phone: 61-438-427-479 fax: 61-7-3287-1881 email: export@rondo.com.au

NEW ZEALAND: RONDO BUILDING SERVICES PTY LTD
FREE CALL: 0800-0800-RONDO (0800-0800-76)
www.rondo.co.nz

AUCKLAND
117 Captain Springs Road Onehunga
Auckland 1061
(PO Box 12464 Penrose Auckland 1642)
phone: 64-9-636 5110 fax: 64-9-636 5111 email: rondo.newzealand@rondo.co.nz

CHRISTCHURCH
106 F Carmen Road Hornby Christchurch 8042
phone: 64-3-421 7840 fax: 64-9-636 5111

MALAYSIA: RONDO METAL PRODUCTS SDN BHD
Lot 606, off Jalan SS13/1K
47500 Subang Jaya Selangor
phone: 60-3-5636 0710 fax: 60-3-5636 0711 email: rondo.malaysia@rondo.com.my
www.rondo.asia

UAE: RONDO METAL PRODUCTS SDN BHD
Al Saraya Avenue Building Al Garhoud Dubai UAE
(PO Box 14424 Dubai UAE)
phone: 971-505-511-893

INDIA: RONDO METAL SYSTEMS PVT LTD
Plot J-21, MIDC Talaja, Tal, Panvel
Dist Raigad - 410 208 Mumbai India
phone: 91-22-2740 2831 email: rondo.india@rondo.co.in
www.rondo.co.in

RONDO®

www.rondo.com.au